

W/P

30

ELECTRIC 24 VOLT
3000 lbs.
(1360 kg)



CLARK[®]
THE FORKLIFT

GENERAL DATA & STANDARD DIMENSIONS

Pallet Specifications

	inches	mm
Type:	Double Faced Wood	
Size:	Length 48	1219
	Width (min-max) 32-48	813-1219
Bottom Board		
	Nominal Thickness 0.75	19

Available Fork Lengths

Nominal Length		Actual Length	
inches	mm	inches	mm
32	813	32	813
36	914	36	914
42	1067	41.3	1049
48	1219	45.5	1156
60	1524	57.5	1460

Notes

Performance may vary +5% and -10% due to motor and systems efficiency tolerance. The performance shown represents nominal values which may be obtained under typical operating conditions with a standard machine.

ANSI/ITSDF and Insurance Classification

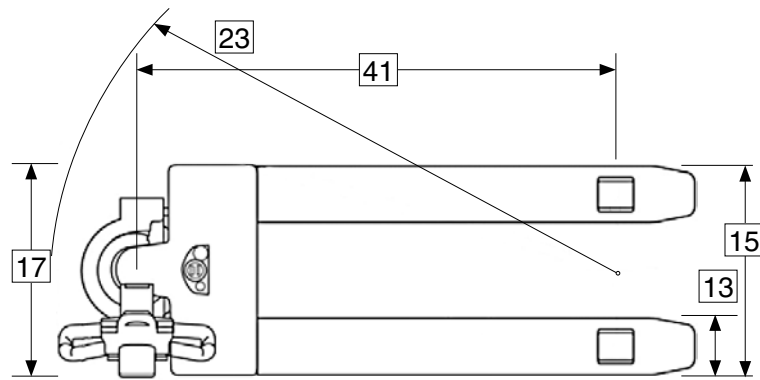
Standard truck meets all applicable mandatory requirements of Part III-ANSI/ITSDF B56.1 Safety Standard for Powered Industrial Trucks (latest edition at time of manufacture.)

Users should be aware of, and adhere to, applicable codes and regulations regarding operator training, use, operation and maintenance of powered industrial trucks, including:

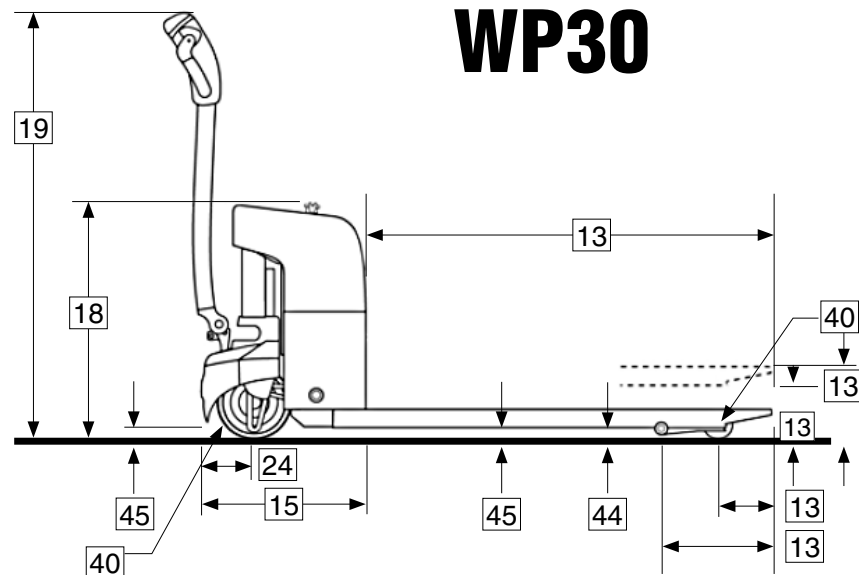
- ANSI/ITSDF B56.1
- NFPA 505, fire safety standard for powered industrial trucks - type designations, areas of use, maintenance and operation.
- Occupational Safety and Health Administration (OSHA) regulations that may apply.

Contact your authorized CLARK forklift truck dealer for further information including operator training programs and auxiliary visual and audible warning systems, fire extinguishers, etc., as available for specific user applications and requirements.

Specifications, equipment, technical data, photos and illustrations are based on information at time of printing and are subject to change without notice. Some products may be shown with optional equipment.



WP30



STANDARD SPECIFICATIONS

General Information	1	Manufacturer		Clark
	2	Model	Manufacturer's Designation	WP 30
	3	Load Capacity	lbs(kg)	3000 (1360)
	4	Load Center	Fork Face Load CG	in(mm) 24 (600)
	5	Power Unit	Electric	24 volt
	6	Operator Type		Walkie pallet
	7	Tire Type	Drive/Steer - load	Polyurethane / Polyurethane
	8	Wheels (x=driven)	Front/Rear	1x / 2
Basic Dimensions	13	Fork	Lift height to top of fork	in(mm) 7.5 (191)
			Lowered height at heel/toe	in(mm) 3.0 (76)
			Thickness	in(mm) 1.9 (48)
			Width	in(mm) 6.0 (152)
			Usable length ¹	in(mm) 45.5 (1156)
	15	Overall Dimensions	Length to Fork Face	in(mm) 18.8 (478)
			Overall width, forks	in(mm) 27.0 (686)
17		Width	in(mm) 27.0 (686)	
18		Height	in(mm) 26.5 (673)	
19	Handle Height	Ground to tip of released handle	in(mm) 49.0 (1245)	
23	Turning Radius		in(mm) 58.0 (1473)	
24	Head Length	Front of frame to center of drive tire	in(mm) 6.3 (160)	
Wt. Perfor.	28	Speeds	Travel Speed, Max w/ Load	mph(kph) 2.5 (4.0)
	29		Travel Speed, Max w/o Load	mph(kph) 2.8 (4.5)
Wt.	34	Service Weight	Including battery	lbs(kg) 450 (204)
	39	Tires	Number, Front/Rear	1 / 2
Chassis	40		Size, Front	in(mm) 8.26 X 2.76 (210X70)
			Size, Rear	in(mm) 2.36 X 3.15 (60X80)
			Size, stabilizing casters	in(mm) N/A
	41	Wheelbase	With forks lowered	in(mm) 49.5 (1257)
	44	Ground Clearance	Minimum without Load	in(mm) 0.3 (7)
	45		At center of wheelbase	in(mm) 0.8 (20)
			At front of frame	in(mm) 2.7 (68)
	46	Service Brake	Type	Regenerative
	47	Parking Brake	Actuation	Auto electromagnetic
		Steering	Type	Pivot arm
Drive Line	48	Battery	Type	AGM
			Max. capacity (5 hr. rate)	Ah 70
			Weight, minimum	lbs(kg) 111 (50)
			Weight, maximum	lbs(kg) N/A
	49	Motors, Controls	Drive motor, diameter	in(mm) 5.1 (129)
			Hydraulic motor, diameter	in(mm) 3.0 (75)
			Drive motor control	Curtis enAble 1212
			Speed control	Infinitely variable
		Hydraulic motor control	Contactors	
57	Hydraulic Pressure	For lift	psi 1600	

Notes: 1 Other fork lengths and widths combinations available.

WP STANDARD FEATURES & BENEFITS

DRIVE MOTOR

- 24-Volt permanent magnet DC drive motor increases efficiency and duty cycle.

BRAKES

- Parking brake is automatically applied when truck stops and handle is released.

HYDRAULIC SYSTEM

- Lift cylinder has durable, chrome-plated lift rod provides smooth lifting and lowering.



STANDARD BATTERY

- 70Ah (AGM) Absorbed Glass Mat battery pack for extended run times - up to 4.5 hours.

ON-BOARD CHARGER

- Standard 110V three-prong outlet plug for convenient charging.

STANDARD EQUIPMENT

- Quick disconnect EPD power cut-off, hour meter, and battery discharge indicator all come standard.

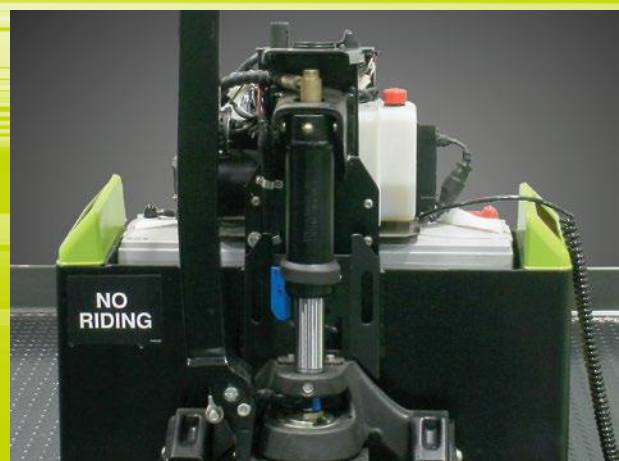


ERGONOMIC STEER/CONTROL HANDLE

- **Solid steel tubing**
 - Solid steel tubing arm and handle designed to outlast cast aluminum or plastic designs.
- **Operator Control**
 - Handle offers travel, lift and lower functions all accessible without the operator having to lift a hand from the handle.
- **Angle grips**
 - Designed to allow easy operation with either hand.
- **Wrap around steel guard**
 - Reversing switch, thumb control, and horn are standard.
- **Minimum steering effort**
 - Low mounted tiller arm offers excellent operator comfort.
- **Gas assisted spring handle**
 - Gently returns handle to vertical position.
- **Crawl speed function**
 - With the steer handle at 5° back-tilt from vertical position operator has ease of use in tight areas.

Available Equipment

- Variety Of Fork Sizes (27" X 48" Is Standard)
- Fork Widths: 18", 22", 27" (Standard)
- Fork Lengths: 32" (Popular for Beverage Industry), 36", 42", 48" (Standard), 60"
- Load Back Rest - 48" or 60"
- Optional Adjustable, Non-Marking Poly-Stabilizing Pads



SERVICEABILITY

- Removable one piece power head cover allows for easy maintenance.



CLARK MATERIAL HANDLING COMPANY

North American Headquarters
700 Enterprise Drive • Lexington, KY 40510
866-252-5275 • www.clarkmhc.com