

WPX

45

ELECTRIC 24 VOLT
4500 lbs.
(2040 kg)



CLARK[®]

THE FORKLIFT



- Tapered slides enhance pallet entry and exit.
- Optional Pallet entry rollers available.

24 *Volts*

24-Volt AC inverter travel control with matching drive motor provide high performance throughout the entire speed range.

- Travel, lift, and lower functions are located in the ergonomic operator handle. All operator controls are accessible without having to lift the hand from the handle.

Maximum Maneuverability + AC Performance =
Ultimate Productivity & Value



Highly Maneuverable, Easily Serviceable, Broadly Flexible, Extremely Dependable

WPX...The foundation of the **CLARK Powrworker**® line continues to set the standard for rugged dependability since its introduction as the industry's first hydraulically powered low-lift in 1920.



WPX STANDARD FEATURES & BENEFITS

DRIVE UNIT

■ Optimized gear technology

- State of the art optimized gear technology supplies advantages such as low noise level, high efficiency and high performance.

■ Drive motor mount

- Vertical drive motor is directly mounted to the gear housing increasing component life.

■ Drive train

- Oil bathed hypoid bevel gear drive train with tapered roller bearings transfers power to the axle.



AC MOTOR/CONTROL

■ 24-Volt AC Inverter

- Travel control with matching drive motor provides high performance throughout the entire speed range.

■ Travel Speed

- Remains constant relative to throttle position regardless of load - neutral braking offers predictable performance.

■ Additional Features

- Separately fused power control circuits, quick disconnect EPD power cut off, hour meter / battery discharge indicator combination gauge and lift lock out complete the system.

HYDRAULIC SYSTEM

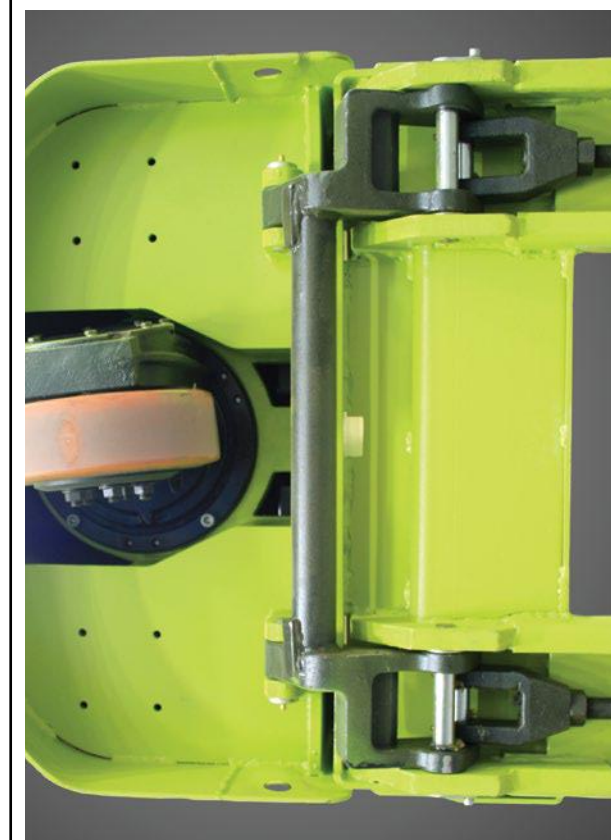
■ Lift cylinder has durable, hard chrome-plated rod.



PALLET ENTRY/EXIT

■ Easy Pallet Access

- Fork construction and pallet entry slides allow easy pallet entry by lifting the fork up and over bottom board.



LIFTING MECHANISM/UNDERCARRIAGE

■ Adjustability

- Fully adjustable pull rods and torsion bar extend operating life in delivery truck and dock use applications.

■ Ease of maintenance

- Eight easily accessible grease zerks.

Available Equipment

- Cold conditioning
- Rubber lug drive tire
- Fork entry rollers
- Load Back Rest — 48" or 60"
- Stability casters
- Fork Widths — 18" or 21" available
- Fork lengths — 36", 42", 48"*, or 60" available (**standard*)
- 8" or 9" battery compartment available depending on battery type (8" for AGM. 9" for wet cell or industrial)



BRAKE DESIGN

■ Electromagnetic Brake

- Mounted on the motor armature shaft multiplying the braking power through the transmission.

■ Top-Mounted Brake

- Design keeps brake away from dirt and debris.
- Parking brake is automatically applied when truck stops and handle is released.
- System features anti-roll back and neutral braking.



ERGONOMIC STEER/CONTROL HANDLE

■ Solid steel tubing

- Solid steel tubing arm and handle designed to outlast cast aluminum or plastic designs.

■ Operator Control

- Handle offers travel, lift and lower functions all accessible without the operator having to lift a hand from the handle.

■ Angle grips

- Designed to allow easy operation with either hand.

■ Wrap around steel guard

- Reversing switch, thumb control, and horn are standard.

■ Minimum steering effort

- Low mounted tiller arm offers excellent operator comfort.

■ Gas assisted spring handle

- Gently returns handle to vertical position.

■ Crawl speed function

- With the steer handle at 5° back-tilt from vertical position operator has ease of use in tight areas.

GENERAL DATA & STANDARD DIMENSIONS

Battery Compartment Dimensions

| | Width (W) inches (mm) | Length (L) inches (mm) | Height (H) inches (mm) |
|-------|--------------------------|---------------------------|---------------------------|
| Small | 26.4 (670) | 8.1 (205) | Open |
| Large | 26.4 (670) | 9.1 (231) | Open |

Pallet Specifications

| Type: | Double Faced Wood | inches | mm |
|-------------------|-------------------|--------|----------|
| Size: Length | | 48 | 1219 |
| Width (min-max) | | 32-48 | 813-1219 |
| Bottom Board | | | |
| Nominal Thickness | 0.75 | 19 | |

Available Fork Lengths

| Nominal Length | | Actual Length | |
|----------------|------|---------------|------|
| inches | mm | inches | mm |
| 36 | 914 | 36 | 914 |
| 42 | 1067 | 41.3 | 1049 |
| 48 | 1219 | 45.5 | 1156 |
| 60 | 1524 | 57.5 | 1460 |

Notes

Performance may vary +5% and -10% due to motor and systems efficiency tolerance. The performance shown represents nominal values which may be obtained under typical operating conditions with a standard machine.

ANSI/ITSDF and Insurance Classification

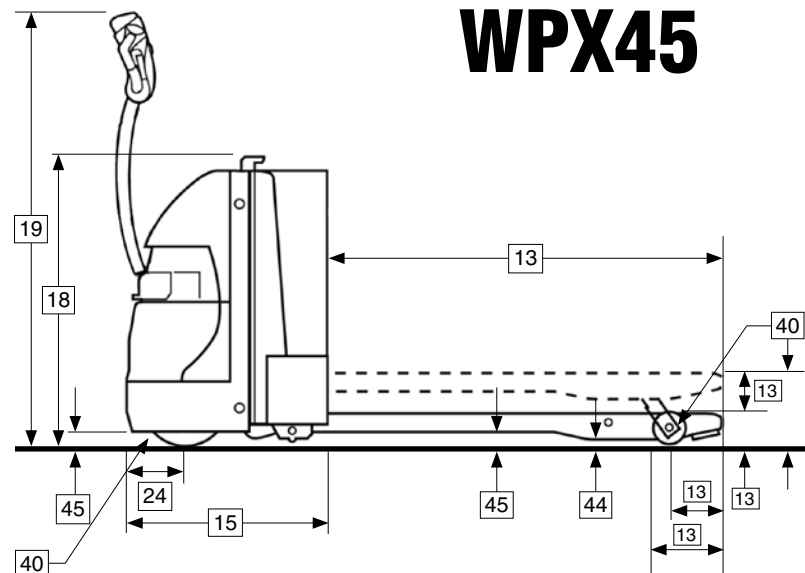
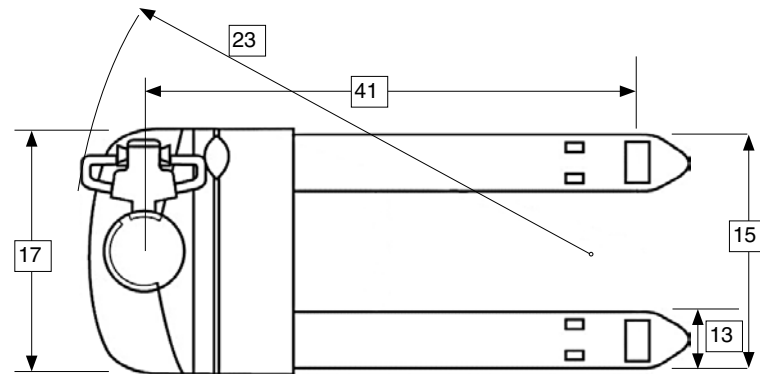
Standard truck meets all applicable mandatory requirements of Part III-ANSI/ITSDF B56.1 Safety Standard for Powered Industrial Trucks (latest edition at time of manufacture.)

Users should be aware of, and adhere to, applicable codes and regulations regarding operator training, use, operation and maintenance of powered industrial trucks, including:

- ANSI/ITSDF B56.1
- NFPA 505, fire safety standard for powered industrial trucks - type designations, areas of use, maintenance and operation.
- Occupational Safety and Health Administration (OSHA) regulations that may apply.

Contact your authorized CLARK forklift truck dealer for further information including operator training programs and auxiliary visual and audible warning systems, fire extinguishers, etc., as available for specific user applications and requirements.

Specifications, equipment, technical data, photos and illustrations are based on information at time of printing and are subject to change without notice. Some products may be shown with optional equipment.



WPX45

STANDARD SPECIFICATIONS

| | | | | | |
|---------------------|--------------------|--|---|-----------------------------|----------------------|
| General Information | 1 | Manufacturer | | Clark | |
| | 2 | Model | Manufacturer's Designation | WPX 45 | |
| | 3 | Load Capacity | lbs(kg) | 4500 (2040) | |
| | 4 | Load Center | in(mm) | 24 (600) | |
| | 5 | Power Unit | Electric | 24 volt | |
| | 6 | Operator Type | | Walkie pallet | |
| | 7 | Tire Type | Drive/Steer - load | Polyurethane / Polyurethane | |
| | 8 | Wheels (x=driven) | Front/Rear | 1x / 2 | |
| Basic Dimensions | 13 | Fork | Lift height to top of fork | in(mm) | 8.2 (208) |
| | | | Lowered height at heel/toe | in(mm) | 3.25 (83) |
| | | | Thickness | in(mm) | 2.3 (59) |
| | | | Width | in(mm) | 6.75 (171) |
| | | | Usable length ¹ | in(mm) | 45.5 (1156) |
| | 15 | Overall Dimensions | Length to Fork Face ² | in(mm) | 25.4 (645) |
| | | | Overall width, forks | in(mm) | 27.0 (686) |
| | 17 | | Width | in(mm) | 28.0 (711) |
| 18 | | Height | in(mm) | 34.5 (876) | |
| 19 | Handle Height | Ground to tip of released handle | in(mm) | 50.75 (1289) | |
| 23 | Turning Radius | | in(mm) | 68.0 (1727) | |
| 24 | Head Length | Front of frame to center of drive tire | in(mm) | 6.0 (152) | |
| Wt. Perfor. | 28 | Speeds | Travel Speed, Max w/ Load | mph(kph) | 3.5 (5.6) |
| | 29 | | Travel Speed, Max w/o Load | mph(kph) | 3.6 (5.8) |
| Wt. | 34 | Service Weight | Including battery ² | lbs(kg) | 918 (416) |
| Chassis | 39 | Tires | Number, Front/Rear | | 1 / 2 |
| | 40 | | Size, Front | in(mm) | 9.0 X 3.0 (229X76) |
| | | | Size, Rear | in(mm) | 3.25 X 4.5 (83X114) |
| | | | Size, stabilizing casters (optional) | in(mm) | 3.4 (85) |
| | 41 | Wheelbase | With forks lowered ² | in(mm) | 64.9 (1648) |
| | 44 | Ground Clearance | Minimum without Load | in(mm) | 0.4 (10) |
| | 45 | | At center of wheelbase | in(mm) | 1.2 (30) |
| | | | At front of frame | in(mm) | 2.4 (60) |
| 46 | Service Brake | Type | | Regenerative | |
| 47 | Parking Brake | Actuation | | Auto-Electro Magnetic | |
| | Steering | Type | | Pivot arm | |
| Drive Line | 48 | Battery | Type | | AGM/Wet cell |
| | | | Max. capacity (5 hr. rate) ² | AH | 179/185 |
| | | | Weight, minimum ² | lbs(kg) | 263 (119) /248 (112) |
| | | | Weight, maximum ² | lbs(kg) | 1400 (635) |
| | 49 | Motors, Controls | Drive motor, diameter | in(mm) | 7.3 (186) |
| | | | Hydraulic motor, diameter | in(mm) | 3.35 (85) |
| | | | Drive motor control | | Zapi ACO inverter |
| | | | Speed control | | Infinitely variable |
| | | Hydraulic motor control | | Contactora | |
| 57 | Hydraulic Pressure | For lift | psi | 2300 | |

Notes: 1 For 48" X 27" Nominal fork, other fork lengths and widths available, see general data.
2 Specifications shown for small/large battery compartment models.

- We don't just build forklifts. As a company, we are also focused on providing our customers with the best possible technical service support and aftermarket parts available.
- Even though our business starts with a quality, cost-effective product, our organization understands that it is the support and services we provide after the sale that help keep your business running at peak efficiency.
- **THE CLARK PartsPRO®Plus SYSTEM** is our industry-leading electronic parts and service documentation tool that provides dealers with a quick and accurate method of identifying parts for every CLARK forklift built since 1961. PartsPRO® ensures the availability of the most current technical information and has the unique capability to create parts manuals specific to your mixed CLARK fleet, making it simple to positively identify and order the correct part(s) from your local CLARK dealer. The right CLARK parts — The First Time, Every Time.
- **UNRIVALED PARTS SUPPORT** Our Aftermarket Distribution Center provides parts to over 250 North American CLARK dealers and many international dealers. This CLARK operated 184,000 square foot facility is dedicated to supporting the CLARK models built over the last 90 years. This facility is focused on providing excellent off-the-shelf availability, quality parts, quick response time and competitive pricing.

DEPENDABLE PARTS = DEPENDABLE TRUCKS



BUILT TO LAST.®



CLARK MATERIAL HANDLING COMPANY

North American Headquarters
700 Enterprise Drive • Lexington, KY 40510
866-252-5275 • www.clarkmhc.com

WPX45

59-894-2043 Printed in USA revMP12132.5M

© 2013 CLARK Material Handling Company