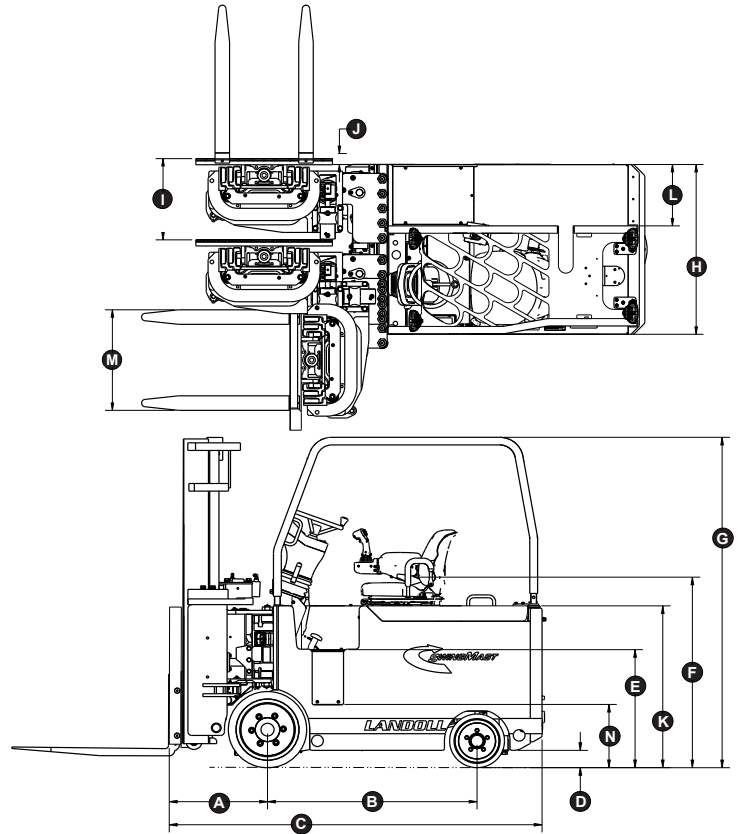


The Landoll 4-Wheel Drexel SwingMast® AC powered VNA forklift maximizes cube utilization while providing front loader versatility. Operator comfort, 100% AC power and single joystick hydraulic controls offer convenient and efficient operation. The ability to store long loads as a sideloader increases this unit's versatility for long load handling.

STANDARD FEATURES

- 3,000 lb. (1,361kg), 4,000 lb. (1,814kg) and 5,000 lb. (2,268kg) Capacity at 24" (600mm) Load Center
- Lift Heights to 374" (9.5M)
- 56" (1.4M) Stacking Aisle
- High Visibility 3-Stage or 4-Stage Mast
- 48 Volt CAN-Bus Electrical System
- Dual AC Traction Motor Controllers
- AC Hydraulic Motor Controller
- Hydraulic Power Steering by Main Hydraulic Pump (No Separate Power Steering Pump or Motor)
- Full Diagnostic Intelligent Display with Battery Discharge Indicator and Hour Meter
- Four-Wheel Design, Dual Front Wheel Planetary Drives and Heavy Duty Articulating Rear Steer Axle
- Right Side 16½" (419mm) Deep Long Load Deck
- Large Diameter Poly Drive (Rubber on SL30AC) and Poly Steer Tires
- 22" (559mm) of Mast Shift, Includes 3" (76mm) of Reach and 90° Right Side Mast Rotation
- Comfortable Seated Operation with Single Joystick Hydraulic and Directional Control on Armrest
- Mast Tilt of 3° Forward and 4° Back (Restricted to 1° Forward and 2° Back at 294" and Higher Lift Height)
- Adjustable Cloth Suspension Swivel Seat with Adjustable Armrests
- Adjustable Steering Column, Key Switch, Rear View Mirror, Horn, Seat Belt
- Safety Seat Switch and Retractable Seat Belts
- Hydraulic Front-Wheel Disc Brakes
- Horizontal Tilt Indicator
- 4-Post Adjustable Overhead Guard
- 40" (1,000mm) Long End Tapered Forks, 37" (940mm) Wide Carriage and 36" (914mm) High Load Backrest
- Provisions for RF Terminals
- Accepts Class II Attachments
- Easily Accessible Components for Low Cost Maintenance



OPTIONAL FEATURES

- Non-Standard Fork Lengths
- LED Headlights, Flashing Light and Rear Safety Lights
- Back-Up Alarm
- Integral Fork Positioner
- Auxiliary Hydraulics
- Non-Marking Tires
- UL-583 Type EE Electrical Rating, FM Approved
- Vinyl Seat
- Fire Extinguisher
- Lazer Fork Height Indicator
- Camera with Operator Compartment Monitor
- 42" (1,067mm) Wide Fork Carriage
- Battery Compartment Roll Out Tray
- Wire Guidance Controls – Truck Mounted
- Long Load Handling Deck Mount
- Capable of Freezer Operation to -22°F (-30°C)

4-Wheel VNA SwingMast®

Electric Multi-Purpose Pallet Load Handler and Long Load Side Loader



TECHNICAL DATA

MODEL				SL30AC	SL40AC	SL50AC
Capacity			lbs/kg	3,000 / 1,361	4,000 / 1,814	5,000 / 2,268
Load Center			in/mm	24 / 600	24 / 600	24 / 600
Weight		with Battery	lbs/kg	12,600 / 5,727	13,800 / 6,272	15,100 / 6,864
Travel Speed		Loaded	mph/kph	6.5 / 10.5	6.5 / 10.5	6.5 / 10.5
		Unloaded	mph/kph	7 / 11.3	7 / 11.3	7 / 11.3
Lift Speed		Loaded	fpm/mpm	90 / 27.4	90 / 27.4	90 / 27.4
		Unloaded	fpm/mpm	110 / 33.4	110 / 33.4	110 / 33.4
Lowering Speed		Loaded	fpm/mpm	100 / 30.5	100 / 30.5	100 / 30.5
		Unloaded	fpm/mpm	90 / 27.4	90 / 27.4	90 / 27.4
Mast Tilt		to 293" (7.44M)	fwd/back	3 / 4	3 / 4	3 / 4
		294" (7.46) and Higher	fwd/back	1 / 2	1 / 2	1 / 2
Mast Underclearance			in/mm	5 / 127	5 / 127	5 / 127
Lost Load Center	A	with Triple Mast	in/mm	25 / 635	25 / 635	25 / 635
Wheelbase	B		in/mm	53.5 / 1,359	53.5 / 1,359	53.5 / 1,359
Overall Length	C	with Triple Mast	in/mm	95.25 / 2,419	95.25 / 2,419	96.25 / 2,445
Rear Underclearance	D		in/mm	4.5 / 114	4.5 / 114	4.5 / 114
Cab Floor Height	E		in/mm	31 / 787	31 / 787	31 / 787
Seat Height	F		in/mm	50 / 1,270	50 / 1,270	50 / 1,270
Overhead Guard Height	G		in/mm	87 / 2,210	87 / 2,210	87 / 2,210
Chassis Width	H		in/mm	46 / 1,168	46 / 1,168	46 / 1,168
Mast Shift	I		in/mm	22 / 559	22 / 559	22 / 559
Side Reach	J		in/mm	3 / 76	3 / 76	3 / 76
Side Deck Height	K		in/mm	42.5 / 1,080	42.5 / 1,080	42.5 / 1,080
Side Deck Width	L		in/mm	16.5 / 419	16.5 / 419	16.5 / 419
Fork Carriage Width	M		in/mm	37 / 940	37 / 940	37 / 940
Step Height	N		in/mm	16.5 / 419	16.5 / 419	16.5 / 419
Fork Length			in/mm	40 / 1,016	40 / 1,016	40 / 1,016
Gradeability		Loaded	%	15	15	15
Hydraulic Motor Rating		Continuous Duty Rating	type/kWh	AC / 16.8	AC / 16.8	AC / 16.8
Traction Motor Rating		Continuous Duty Rating	type/kWh x 2	AC / 5.6 = 11.2	AC / 5.6 = 11.2	AC / 5.6 = 11.2
Drive Tire Type				Smooth Rubber	Smooth Poly	Smooth Poly
Drive Tire Size		Diameter x Width	in/mm	20x9 / 508x229	20x9 / 508x229	20x9 / 508x229
Steer Tires		Poly - Diameter x Width	in/mm	14x5 / 356x128	14x5 / 356x128	14x5 / 356x128

MAST DIMENSIONS

Lowered Height Based on 5" Mast Underclearance

LIFT HEIGHT		LOWERED HEIGHT		* FREE LIFT	
Inches	Meters	Inches	Meters	Inches	Meters
Triple (3-Stage) Mast SL30AC / SL40AC / SL50AC					
188	4.78	85	2.16	49	1.24
198	5.03	89	2.26	53	1.35
216	5.49	97	2.46	61	1.55
223	5.66	100	2.54	64	1.63
242	6.15	109	2.77	73	1.85
258	6.55	117	2.97	81	2.06
272	6.91	123	3.12	87	2.21
296	7.52	131	3.33	95	2.41
312	7.92	134	3.40	98	2.49
323	8.20	140	3.56	104	2.64
360	9.14	158	4.01	122	3.10
374**	9.50	168	4.27	132	3.35
* Free Lift Based on 36" High Load Backrest					
** 374" (9.5M) Mast Available on SL50AC Only					

LIFT HEIGHT		LOWERED HEIGHT		* FREE LIFT	
Inches	Meters	Inches	Meters	Inches	Meters
Quad (4-Stage) Mast SL30AC / SL40AC					
250	6.35	89	2.26	53	1.35
258	6.55	91	2.31	55	1.40
276	7.01	97	2.46	61	1.55
294	7.47	103	2.62	67	1.70
312	7.92	109	2.77	73	1.85
Quad (4-Stage) Mast SL50AC					
250	6.35	93	2.36	57	1.45
260	6.60	97	2.46	61	1.55
276	7.01	104	2.64	68	1.73
295	7.49	111	2.82	75	1.91
315	8.00	119	3.02	83	2.11
*Free Lift Based on 36" (914mm) High Load Backrest					

RECOMMENDED BATTERIES

BATTERY DESIGNATION: 24-100-21, 48 VOLT, 1,000 AHC
Battery Weight Min. 3,250 lbs. (1,477kg) - Max. 3,900 lbs. (1,773kg)
Leads are at Position A, 36" (91.4cm) Long, with SB 350 Amp Blue Connector
Nominal Size: 33" x 38.5625" x 25.625" (84 x 98 x 65cm)
Compartment Size: 33.5" x 38.625" x 25.75" (85 x 98 x 65cm)

AISLE DIMENSIONS

LOAD DEPTH X WIDTH	MINIMUM CLEAR AISLE
40" x 48" (1,000 x 1,200mm)	56" (1,422mm)
48" x 40" (1,200 x 1,000mm)	60" (1,524mm)
Minimum Clear Transfer Aisle with Load	138" (3,505mm)

The specifications contained in this spec sheet are subject to change at any time without notice. Actual dimensions and performance data given herein may vary due to manufacturing tolerances.

DREXEL®

DREXEL SL60 **SWINGMAST® VNA/SIDELADING** **ELECTRIC MULTI-PURPOSE** **6,000 LB. (2,722KG) CAPACITY**

The Landoll SwingMast® Electric VNA Forklift, with a 90° Pivoting and Shifting Mast, Maximizes Cube Utilization while Providing Front Loader Versatility. The SwingMast® also can Handle, Store and Transport Long Loads as a Side Loader for Long Load Handling Applications.

STANDARD FEATURES

- Four-Wheel Configuration - 6,000 lb. (2,722kg) Capacity
- 72 Volt Electrical System
- Curtis SEPEX Dual Traction Motor Controllers
- Curtis Series Hydraulic Motor Controller
- Battery Discharge Indicator with Lift Interrupt
- Hydrostatic Power Steering
- 30" (762mm) of Shift-Includes 3" (76mm) of Reach
- 40" (1,016mm) Long Shank Forks with Standard Taper
- Poly Drive and Steer Tires
- 42" (1066mm) High Load Backrest
- Type E Construction
- Anderson SBX350 Green Connector
- Seat Belt (Retractable)
- Horizontal Fork Indicator, Overhead Guard
- Key Switch, Hand Parking Brake and Hour Meter
- Meets ANSI B56.1

OPTIONAL FEATURES

- EE Construction (Includes Battery Side Cover)
- Non-Standard Fork Lengths
- Dual Overhead Guard Mounted LED Headlights
- Dual Rear Safety LED Light Bars
- Safety Flashing LED Light
- Backup Alarm - Beeping Tone ("smart" dB adjusting)
- Fire Extinguisher - OHG Post Mounted
- Cold Storage Conditioning to -22° F (-30° C)
- Roller Slide-Out Battery Tray
- Lazer Fork Height Indicator
- Fork Positioner
- Keyless Key Pad On-Off
- Long Load Handling Package
- Auxiliary Hydraulics
- Overload Sensor with Alarm



LANDOLL CORPORATION

MATERIAL HANDLING GROUP

www.landoll.com/mhp

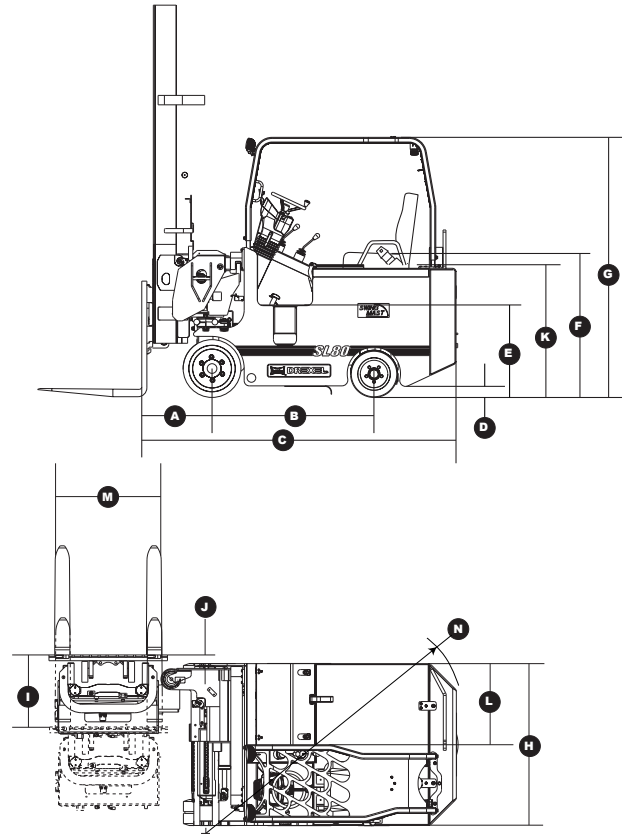


DREXEL SL60

Electric Multi-Purpose VNA and Sideloader | SwingMast® Forklift Truck

TECHNICAL DATA

MODEL		SL60	
Capacity		lbs/kg	6,000 / 2,722
Load Center		in/mm	24 / 600
Power Source			Battery, electric
Weight with Battery		lbs/kg	18,700 / 8,500
Travel Speed	Loaded	mph/kph	6.9 / 11.1
	Unloaded	mph/kph	7.7 / 12.3
Lift Speed	Loaded	fpm/mpm	55 / 16.7
	Unloaded	fpm/mpm	70 / 21.3
Lower Speed	Loaded	fpm/mpm	95 / 28.9
	Unloaded	fpm/mpm	60 / 18.2
Mast Tilt	Forward / Backward	deg	3 / 4
Lost Load Center	A with Triple Mast	in/mm	24 / 607
Wheelbase	B	in/mm	56 / 1,422
Overall Length to Face of Forks	C with Triple Mast	in/mm	105 / 2,667
Underclearance	D	in/mm	4 / 102
Cab Floor Height	E	in/mm	32 / 889
Seat Height	F	in/mm	52 / 1,321
Overhead Guard Height	G	in/mm	90 / 2,286
Chassis Width	H	in/mm	52 / 1,321
Mast Shift	I	in/mm	30 / 762
Side Reach	J	in/mm	3 / 76
Side Deck Height	K	in/mm	52 / 1,321
Side Deck Width	L	in/mm	24 / 610
Fork Carriage Width	M	in/mm	41 / 1,041
Turning Radius	N	in/mm	93.5 / 2,375
Fork Length		in/mm	40 / 1,016
Gradeability	Loaded	%	15
Lift Motor Rating		kWh	17.6
Steer Motor Rating		kWh	6.5
Drive Motor Rating	2 Each	kWh	7.5 x 2
Wheel Sizes	Front (2 Each)	in/mm	20x9 / 508x229
	Rear (2 Each)	in/mm	16.25x7 / 413x178
Battery Recommended	Electric 72 Volt	kWh	53-55
Minimum Battery Weight		lbs/kg	4,300 / 1,955
Control Type	Traction, Dual		Separately Excited
	Hydraulic		Series



MAST DIMENSIONS

LIFT HEIGHT		LOWERED HEIGHT		FREE LIFT*	
Inches	Meters	Inches	Meters	Inches	Meters
141	3.58	83	2.11	41	1.04
159	4.04	89	2.26	47	1.19
177	4.50	95	2.41	53	1.35
197	5.00	103	2.62	61	1.55
221	5.61	113	2.87	71	1.80
245	6.22	125	3.17	83	2.11
259	6.58	131	3.33	89	2.26
289	7.34	141	3.58	99	2.51

* Free Lift Based on 42" (1067mm) High Load Backrest

RECOMMENDED BATTERY

BATTERY DESIGNATION: 36-85-19, 72 VOLT, 765 AHC (6 HOUR RATE)

Battery Weight Min: 4,300 lbs. (1955 kg) - Max. 4,700 lbs. (2136 kg)

Leads: Position D, 36" Long, with SBX 350 Amp Green *Connector

Nominal Size: 38.38" x 44.38" x 22.62" (98 x 113 x 58 cm)

Compartment Size: 39.625" x 45" x 23.5" (100 x 114 x 60 cm)

*SBX Connector must have 48 Volt 20 Amp Auxiliary Circuit

The specifications contained in this spec sheet are subject to change at any time without notice. Actual dimensions and performance data given herein may vary due to manufacturing tolerances.

www.landoll.com/mhp

1900 North Street | Marysville, KS 66508 | (800) 428-5655



DREXEL®

DREXEL SL80

**SWINGMAST® VNA/SIDELADING
ELECTRIC MULTI-PURPOSE
8,000 LB. (3,629KG) CAPACITY**

The Landoll SwingMast® Electric VNA Forklift, with a 90° pivoting and shifting mast, maximizes cube utilization while providing front loader versatility. The SwingMast® can handle, store and transport long loads as a side loader for long load handling applications.

STANDARD FEATURES

- Four Wheel Configuration - 8,000 lb. (3,629kg) Capacity
- 72 Volt Electrical System
- Curtis SEPEX Dual Traction Motor Controllers
- Curtis Series Hydraulic Motor Controller
- Battery Discharge Indicator with Lift Interrupt
- Hydrostatic Power Steering
- 30" (762mm) of Shift-Includes 3" (76mm) of Reach
- 40" (1,016mm) Long Shank Forks with Standard Taper
- Poly Drive and Steer Tires
- 42" (1066mm) High Load Backrest
- Type E Construction
- Anderson SBX350 Green Connector
- Seat Belt (Retractable)
- Horizontal Fork Indicator, Overhead Guard
- Key Switch, Hand Parking Brake and Hour Meter
- Meets ANSI B56.1

OPTIONAL FEATURES

- EE Construction (Includes Battery Side Cover)
- Non-Standard Fork Lengths
- Dual Overhead Guard Mounted LED Headlights
- Dual Rear Safety LED Light Bars
- Safety Flashing LED Light
- Backup Alarm - Beeping Tone ("Smart" dB Adjusting)
- Fire Extinguisher - OHG Post Mounted
- Cold Storage Conditioning to -22° F (-30° C)
- Roller Slide-Out Battery Tray
- Lazer Fork Height Indicator
- Fork Positioner
- Keyless Key Pad On-Off
- Long Load Handling Package
- Auxiliary Hydraulics
- Overload Sensor with Alarm



LANDOLL CORPORATION

MATERIAL HANDLING GROUP

www.landoll.com/mhp

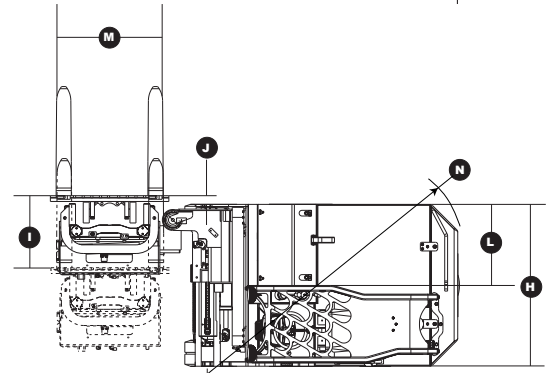
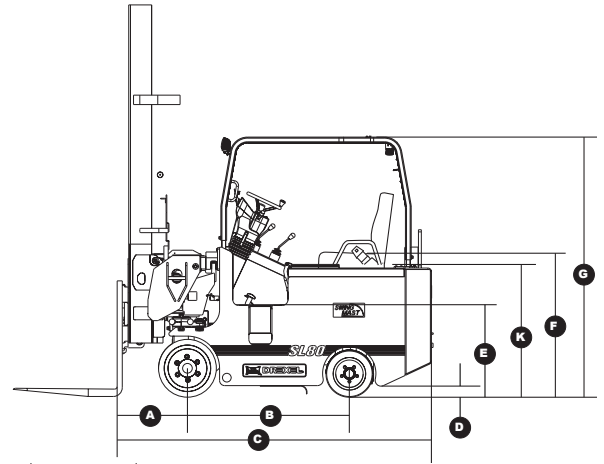


DREXEL SL80

Electric Multi-Purpose VNA and Sideloader | SwingMast® Forklift Truck

TECHNICAL DATA

MODEL		SL80	
Capacity		lbs/kg	8,000 / 3,629
Load Center		in/mm	24 / 600
Power Source			Battery, Electric
Weight with Battery		lbs/kg	20,900 / 9,500
Travel Speed	Loaded	mph/kph	6.9 / 11.1
	Unloaded	mph/kph	7.7 / 12.3
Lift Speed	Loaded (5,500 lbs/2,495 kg)	fpm/mpm	55 / 16.7
	Unloaded	fpm/mpm	70 / 21.3
Lower Speed	Loaded	fpm/mpm	95 / 28.9
	Unloaded	fpm/mpm	60 / 18.2
Mast Tilt	Forward / Backward	deg	3 / 4
Lost Load Center	A with Triple Mast	in/mm	24 / 607
Wheelbase	B	in/mm	56 / 1,422
Overall Length to Face of Forks	C with Triple Mast	in/mm	109 / 2,769
Underclearance	D	in/mm	4 / 102
Cab Floor Height	E	in/mm	32 / 889
Seat Height	F	in/mm	52 / 1,321
Overhead Guard Height	G	in/mm	90 / 2,286
Chassis Width	H	in/mm	56 / 1,422
Mast Shift	I	in/mm	30 / 762
Side Reach	J	in/mm	3 / 76
Side Deck Height	K	in/mm	52 / 1,321
Side Deck Width	L	in/mm	27 / 686
Fork Carriage Width	M	in/mm	41 / 1,041
Turning Radius	N	in/mm	96.5 / 2,451
Fork Length		in/mm	40 / 1,016
Gradeability	Loaded	%	15
Lift Motor Rating		kWh	17.6
Steer Motor Rating		kWh	6.5
Drive Motor Rating	2 Each	kWh	7.5 x 2
Wheel Sizes	Front (2 Each)	in/mm	20x9 / 508x229
	Rear (2 Each)	in/mm	16.25x7 / 413x178
Battery Recommended	Electric 72 Volt	kWh	53-55
Minimum Battery Weight		lbs/kg	4,300 / 1,955
Control Type	Traction, Dual		Separately Excited
	Hydraulic		Series



MAST DIMENSIONS

LIFT HEIGHT		LOWERED HEIGHT		FREE LIFT*	
Inches	Meters	Inches	Meters	Inches	Meters
141	3.58	85	2.16	43	1.09
159	4.04	91	2.31	49	1.24
177	4.50	97	2.46	55	1.40
197	5.00	104	2.64	62	1.57
220	5.59	112	2.84	70	1.78
245	6.22	121	3.07	79	2.01
259	6.58	126	3.20	84	2.13
281	7.14	134	3.40	92	2.34

* Free Lift Based on 42" (1067mm) High Load Backrest

RECOMMENDED BATTERY

BATTERY DESIGNATION: 36-85-19, 72 VOLT, 765 AHC (6 HOUR RATE)

Battery Weight Min: 4,300 lbs. (1955 kg) - Max. 4,700 lbs. (2136 kg)

Leads: Position D, 36" Long, with SBX 350 Amp Green *Connector

Nominal Size: 38.38" x 44.38" x 22.62" (98 x 113 x 58 cm)

Compartment Size: 39.625" x 45" x 23.5" (100 x 114 x 60 cm)

*SBX Connector must have 48 Volt 20 Amp Auxiliary Circuit

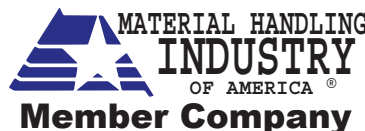
The specifications contained in this spec sheet are subject to change at any time without notice. Actual dimensions and performance data given herein may vary due to manufacturing tolerances.

www.landoll.com/mhp

1900 North Street | Marysville, KS 66508 | (800) 428-5655



Intertek



DREXEL®



DREXEL SL120 **SWINGMAST® LIFT TRUCK** ELECTRIC MULTI-PURPOSE **12,000 LB. (5,443KG) CAPACITY**

The Landoll SwingMast® Electric Forklift, with a 90° pivoting and shifting mast, maximizes cube utilization while providing front loader versatility. The SwingMast® can handle, store and transport long loads as a side loader for long load handling applications.

STANDARD FEATURES

- Four Wheel Design, Front Wheel Drive, Rear Wheel Steering
- High Visibility 3-Stage Mast
- 72 Volt Electrical System
- Safety Seat Switch and Retractable Seatbelt
- Front-Wheel, Self-Adjusting Wet Disc Brakes
- Hand Actuated Parking Brake
- GE “SCR” Controls
- Adjustable Steering Column with Battery Discharge Indicator and Hour Meter
- Type “E” Construction
- Hydrostatic Power Steering
- Automatic Return-to-Neutral
- Locking Differential
- Load Backrest
- Horizontal Tilt Indicator
- Polyurethane Drive & Steer Tires

OPTIONAL FEATURES

- Type “EE” UL Construction
- LED Headlights, Flashing Light, and Rear Safety Lights
- Backup Alarm
- Fire Extinguisher
- Long Load Handling Deck Mount
- Lift Limit
- Integral Fork Positioner
- Non-Standard Fork Lengths
- Auxiliary Hydraulics
- “X” Groove Polyurethane Drive & Steer Tires



LANDOLL CORPORATION

MATERIAL HANDLING GROUP

www.landoll.com/mhp



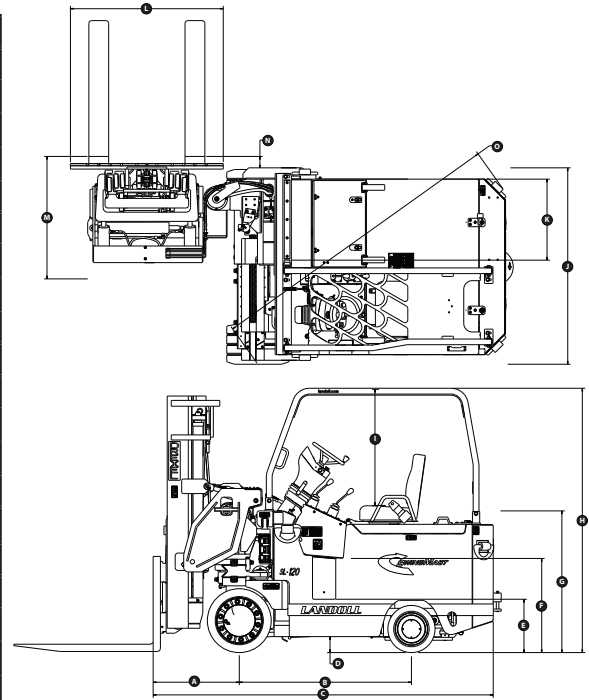
SL120-1216

DREXEL SL120

SwingMast® | Electric Forklift Truck

TECHNICAL DATA

MODEL		SL120	
Capacity		lbs/kg	12,000 / 5,443
Voltage			72
Load Center		in/mm	24 / 610
Weight with Battery		lbs/kg	29,100 / 13,199
Travel Speed	Loaded	mph/kph	5 / 8.05
	Unloaded	mph/kph	6 / 9.65
Lift Speed	Loaded (5,500 lbs/2,495 kg)	fpm/mpm	30 / 9
	Unloaded	fpm/mpm	40 / 12
Lower Speed	Loaded	fpm/mpm	80 / 24
	Unloaded	fpm/mpm	35 / 11
Mast Tilt	Forward / Backward	deg	3 / 6
Mast Underclearance		in/mm	8 / 203
Lost Load Center	A with Triple Mast	in/mm	30 / 762
Wheel Base	B	in/mm	59 / 1,499
Overall Length	C	in/mm	117 / 2,972
Underclearance	D	in/mm	5 / 127
Step Height	E	in/mm	18 / 457
Cab Floor Height	F Lowest Point	in/mm	32 / 813
Side Deck Height	G	in/mm	44 / 1,118
Overhead Guard Height	H	in/mm	91 / 2,311
SIP to Bottom of OHG	I	in/mm	40 / 1,016
Overall Width	J	in/mm	69.5 / 1,765
Side Deck Width	K	in/mm	29 / 737
Fork Carriage Width	L	in/mm	54 / 1,372
Mast Shift	M	in/mm	44* / 1,118*
Side Reach	N	in/mm	4 / 102
Turning Radius	O		106 / 2,692
Fork Length			42 / 1,067
Gradeability	Loaded	%	10
Tire Type	Drive / Steer		Poly / Poly
Tire Sizes	Drive	in/cm	22x14x16 / 56x36x41
	Steer	in/cm	16.2x8x11.2 / 41x20x28



Notes:

*Shift with mast in 'front' position equals 22" (559mm).



RECOMMENDED BATTERY

BATTERY DIMENSIONS AND SPECIFICATIONS							
Volts	No. of Cells	ACH (6 Hr Rate) (amp Hr / kWh)	Weight (lbs / kg)		Width (in / mm)	Length (in / mm)	Height (in / mm)
			Min	Max			
72	36	765 / 55	4300 / 1950	4700 / 2131	38.38 / 975	44.38 / 1127	22.63 / 575
(2) 36	18	765 / 26.6	2140 / 971	2440 / 1106	19.31 / 490	44.31 / 1125	22.63 / 575
Max Allowable Battery Capacity per UL is 765 amp Hr (55 kWh)							
Battery Connector: 72 Volt - Green SBX 350; (2) 36 Volt - Grey SB 350							
Battery Lead: 72 Volt - Position "D", Length 36", Cable Size 2/0 AWG, with 36 Volt Tap (2) 36 Volt - Position "A", Length 36", Cable Size 2/0 AWG							
Battery Compartment Size: 45" x 39.75" x 22.75" (1143x1010x578mm)							

The specifications contained in this spec sheet are subject to change at any time without notice. Actual dimensions and performance data given herein may vary due to manufacturing tolerances.

MAST DIMENSIONS

MAX. FORK HEIGHT		COLLAPSED HEIGHT		FREE LIFT HEIGHT*		MAX OVERALL HEIGHT	
In	M	In	M	In	M	In	M
135	3.43	82	2.08	42	1.07	177	4.50
153	3.89	88	2.24	48	1.22	195	4.95
168	4.27	94	2.39	54	1.37	210	5.33
178	4.52	98	2.49	58	1.47	220	5.59
193	4.90	104	2.64	64	1.63	235	5.97
207	5.26	110	2.79	70	1.78	249	6.32
233	5.92	120	3.05	80	2.03	275	6.99
243	6.17	124	3.15	84	2.13	285	7.24

Above Dimensions are Based on a 8" (203mm) Mast Underclearance

www.landoll.com/mhp | 1900 North Street | Marysville, KS 66508 | (800) 428-5655

